

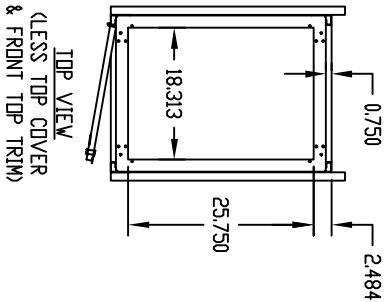
PART NAME SERIES 30-2000 UPRIGHT CABINET RACK

PART No. E30-2000 TD E30-2007

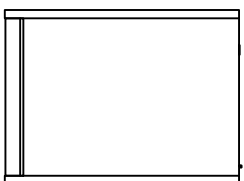
REV. DATE 1-2-02

**FINISH:**  
 FRAME ASSEMBLY, SIDES, DOOR & TOP COVER \_\_\_\_\_ GRAY TEXTURE DR  
 ROYAL BLUE TEXTURE  
 PANEL MOUNTING RAILS \_\_\_\_\_ SMOOTH BLACK  
 FRONT TOP TRIM \_\_\_\_\_ METALLIC GRAY

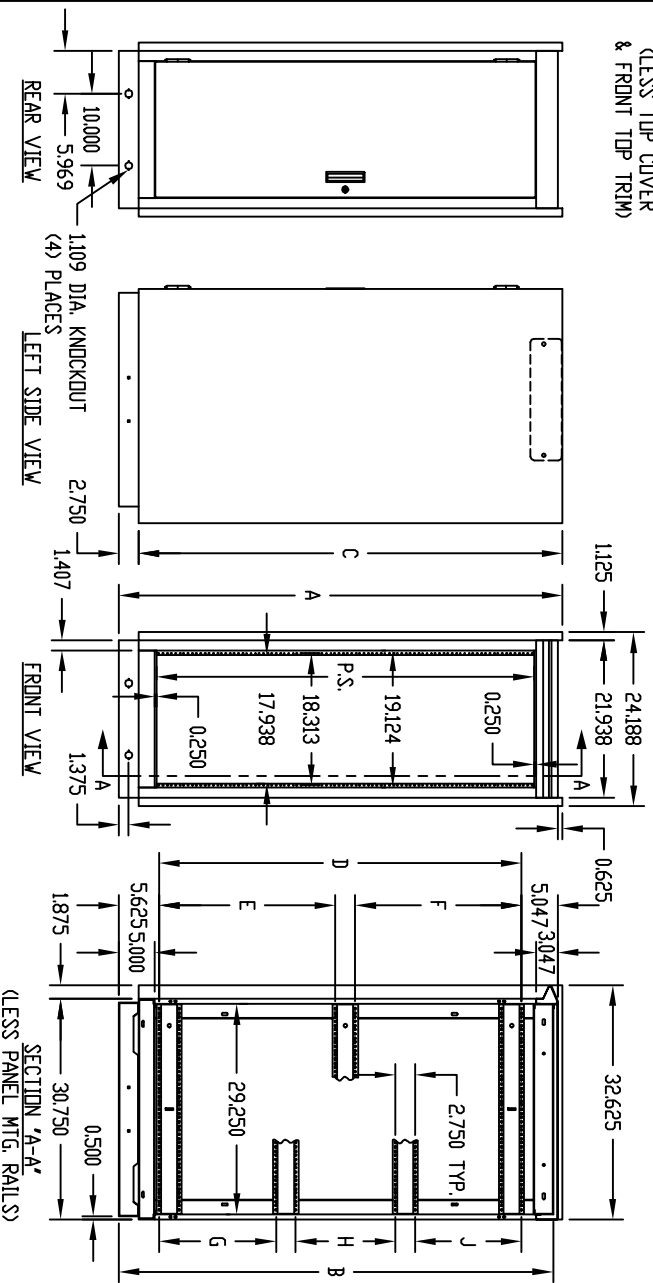
**MATERIAL:**  
 PANEL MOUNTING RAILS \_\_\_\_\_ 12 GA. STEEL  
 FRAME TOP, BASE ASSEMBLY, FILLERS & VERTICAL RAILS \_\_\_\_\_ 14 GA. STEEL  
 RAIL SUPPORTS \_\_\_\_\_ 16 GA. STEEL  
 TOP COVER & SIDES \_\_\_\_\_ 18 GA. STEEL  
 DOOR & FRONT TOP TRIM \_\_\_\_\_ 20 GA. STEEL



TOP VIEW  
 (LESS TOP COVER & FRONT TOP TRIM)



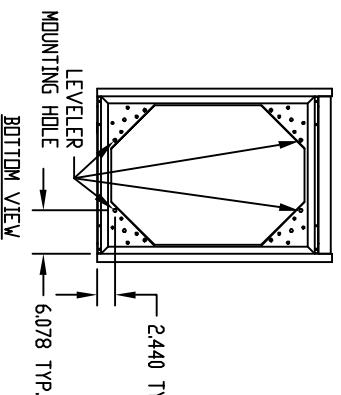
TOP VIEW



PANEL MOUNTING RAILS (FRONT & REAR) ARE TAPPED #10-32 ON E.I.A. UNIVERSAL SPACING AND ARE FULLY ADJUSTABLE.

BOTTOM PIERCED FOR MOUNTING RC-7758 CASTERS.

LOAD RATING: 1200 LBS. MAX.



\* DISCONTINUED

PART No.	P.S.	A	B	C	D	E	F	G	H	J
E30-2000	21,000	30,250	29,000	27,500	18,937					
* E30-2001	31,500	40,750	39,500	38,000	29,437					
* E30-2002	35,000	44,250	43,000	41,500	32,937					
E30-2003	42,000	51,250	50,000	48,500		19,281	17,906			
E30-2004	52,500	61,750	60,500	59,000		24,531	23,156			
E30-2005	61,250	70,500	69,250	67,750		28,906	27,531			
E30-2006	70,000	79,250	78,000	76,500		33,281	31,906			
E30-2007	78,750	88,000	86,750	85,250				25,125	22,312	23,750